



SANDER SERIES

*The **FUTURE** of
Random Orbital
Sanding is **NOW!***



**DYNORBITAL[®]
SUPREME**



**DYNORBITAL-
SPIRIT[®]**



**NEW DYNORBITAL[®]
SILVER SUPREME**





Dynorbital® Silver Supreme



Combines Supreme Power with Lightweight Comfort!

Compact Grip Size

Compact, ergonomic design is ideal for operators with smaller hands.

Auto-Recess Throttle Lever

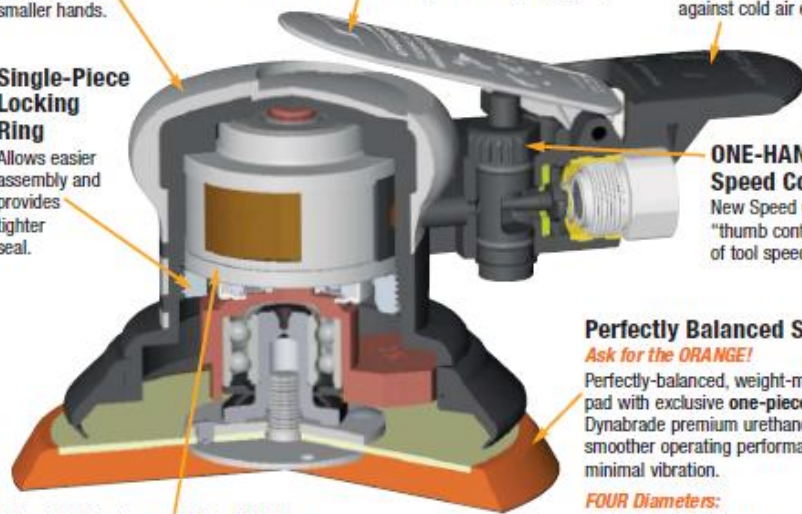
Lever recesses into housing grip when depressed, eliminating pressure-point on operator's palm. Lever is made from composite material to insulate against cold air. Lever is color-coded to identify tool orbit (see page 5).

Comfort Platform

(Patent Pending)
Provides additional hand and wrist support, enhancing operator comfort. Also offers protection against cold air exhaust.

Single-Piece Locking Ring

Allows easier assembly and provides tighter seal.



ONE-HAND Speed Control

New Speed Control dial allows "thumb control" regulating of tool speed.

Perfectly Balanced Sanding Pad

Ask for the ORANGE!

Perfectly-balanced, weight-mated sanding pad with exclusive **one-piece hub design**. Dynabrade premium urethane pads offer smoother operating performance and minimal vibration.

FOUR Diameters:

- 3" (76 mm) – 75 grams
- 3-1/2" (89 mm) – 80 grams
- 5" (127 mm) – 100 grams
- 6" (152 mm) – 130 grams

Steel Cylinder and End Plates

Steel cylinder and end plates stay perfectly aligned. Design of end plates keeps more air in cylinder, increasing motor efficiency!



Dynorbital® Silver Supreme Models

Model Number	Vacuum Style	Tool Dia. Inch (mm)	Dia. Orbit Inch (mm)	Sound Level	Weight Pound (kg)	Length Inch (mm)
69000	Non-Vac	3-1/2 (89)	3/8 (10)	76 dB(A)	1.8 (.8)	6 (152)
69005	Non-Vac	5 (127)	3/8 (10)	79 dB(A)	1.9 (.9)	6-1/2 (165)
69010	Non-Vac	6 (152)	3/8 (10)	79 dB(A)	1.9 (.9)	7 (178)
69015	Non-Vac	3-1/2 (89)	3/16 (5)	77 dB(A)	1.7 (.8)	6 (152)
69020	Non-Vac	5 (127)	3/16 (5)	77 dB(A)	1.8 (.8)	6-1/2 (165)
69025	Non-Vac	6 (152)	3/16 (5)	77 dB(A)	1.8 (.8)	7 (178)
69030	Non-Vac	3-1/2 (89)	3/32 (2.5)	75 dB(A)	1.7 (.8)	6 (152)
69035	Non-Vac	5 (127)	3/32 (2.5)	77 dB(A)	1.7 (.8)	6-1/2 (165)
69040	Non-Vac	6 (152)	3/32 (2.5)	77 dB(A)	1.8 (.8)	7 (178)
69100	Non-Vac	3 (76)	3/8 (10)	79 dB(A)	1.8 (.8)	6 (152)
69105	Non-Vac	3 (76)	3/16 (5)	80 dB(A)	1.7 (.8)	6-1/2 (165)
69110	Non-Vac	3 (76)	3/32 (2.5)	80 dB(A)	1.7 (.8)	7 (178)
69003	Self-Gen	3-1/2 (89)	3/8 (10)	83 dB(A)	1.9 (.9)	8-1/2 (216)
69008	Self-Gen	5 (127)	3/8 (10)	80 dB(A)	2.0 (.9)	8-1/2 (216)
69013	Self-Gen	6 (152)	3/8 (10)	80 dB(A)	2.1 (.9)	9 (229)
69018	Self-Gen	3-1/2 (89)	3/16 (5)	82 dB(A)	1.8 (.8)	8-1/2 (216)
69023	Self-Gen	5 (127)	3/16 (5)	81 dB(A)	1.9 (.9)	8-1/2 (216)
69028	Self-Gen	6 (152)	3/16 (5)	81 dB(A)	2.0 (.9)	9 (229)

Model Number	Vacuum Style	Tool Dia. Inch (mm)	Dia. Orbit Inch (mm)	Sound Level	Weight Pound (kg)	Length Inch (mm)
69033	Self-Gen	3-1/2 (89)	3/32 (2.5)	83 dB(A)	1.8 (.8)	8-1/2 (216)
69038	Self-Gen	5 (127)	3/32 (2.5)	81 dB(A)	1.9 (.9)	8-1/2 (216)
69043	Self-Gen	6 (152)	3/32 (2.5)	81 dB(A)	2.0 (.9)	9 (229)
69103	Self-Gen	3 (76)	3/8 (10)	81 dB(A)	1.9 (.9)	8-1/2 (216)
69108	Self-Gen	3 (76)	3/16 (5)	82 dB(A)	1.8 (.8)	8-1/2 (216)
69113	Self-Gen	3 (76)	3/32 (2.5)	83 dB(A)	1.8 (.8)	9 (229)
69004	Central	3-1/2 (89)	3/8 (10)	79 dB(A)	1.9 (.9)	7 (178)
69009	Central	5 (127)	3/8 (10)	80 dB(A)	2.0 (.9)	7-1/4 (184)
69014	Central	6 (152)	3/8 (10)	80 dB(A)	1.9 (.9)	7-3/4 (197)
69019	Central	3-1/2 (89)	3/16 (5)	83 dB(A)	1.8 (.8)	7 (178)
69024	Central	5 (127)	3/16 (5)	83 dB(A)	1.9 (.9)	7-1/4 (184)
69029	Central	6 (152)	3/16 (5)	83 dB(A)	2.0 (.9)	7-3/4 (197)
69034	Central	3-1/2 (89)	3/32 (2.5)	81 dB(A)	1.8 (.8)	7 (178)
69039	Central	5 (127)	3/32 (2.5)	81 dB(A)	1.8 (.8)	7-1/4 (184)
69044	Central	6 (152)	3/32 (2.5)	81 dB(A)	2.0 (.9)	7-3/4 (197)
69104	Central	3 (76)	3/8 (10)	82 dB(A)	1.9 (.9)	7 (178)
69109	Central	3 (76)	3/16 (5)	82 dB(A)	1.8 (.8)	7-1/4 (184)
69114	Central	3 (76)	3/32 (2.5)	82 dB(A)	1.8 (.8)	7-3/4 (197)

Additional Specifications: Motor .26 hp (194 W) • Motor 12,000 RPM • Pad Thread 5/16"-24 Male • Air Inlet Thread 1/4" NPT
Hose I.D. Size 1/4" (6 mm) • Air Flow Rate 16 SCFM/450 LPM • Height 3-1/2" (89 mm) • Air Pressure 90 PSIG (6.2 Bar)
Sound Level is the pressure measurement according to the method outlined in ISO regulation ISO-15744

Dynorbital® Silver Supreme



3/8"
(10 mm)
Diameter Orbit

For Aggressive Sanding



Look for **ORANGE** Throttle Lever



3/16"
(5 mm)
Diameter Orbit

For General Sanding



Look for **GREY** Throttle Lever



3/32"
(2.5 mm)
Diameter Orbit

For Ultra-Fine Sanding



Look for **BLACK** Throttle Lever

Non-Vacuum

- Includes low profile, premium urethane weight-mated sanding pad.
- Optional vacuum conversion kits available, to easily convert non-vacuum tool to self-generated or central vacuum tool (see page 9).



Pad Diameter Inch (mm)	3/8" (10 mm) Orbit Models	3/16" (5 mm) Orbit Models	3/32" (2.5 mm) Orbit Models
3 (76 mm)	69100	69105	69110
3-1/2 (89 mm)	69000	69015	69030
5 (127 mm)	69005	69020	69035
6 (152 mm)	69010	69025	69040

Tune-Up Kit: No. 96620



Model 69025
6" (152 mm)
Diameter

See page 10
for **NEW ORANGE**
Sanding Pads!

Self-Generated Vacuum

- Includes low profile, premium urethane weight-mated sanding pad.
- Ready for connection to optional portable self-contained dust collection system (see page 9).



Pad Diameter Inch (mm)	3/8" (10 mm) Orbit Models	3/16" (5 mm) Orbit Models	3/32" (2.5 mm) Orbit Models
3 (76 mm)	69103	69108	69113
3-1/2 (89 mm)	69003	69018	69033
5 (127 mm)	69008	69023	69038
6 (152 mm)	69013	69028	69043

Tune-Up Kit: No. 96620



Model 69023
5" (127 mm)
Diameter

Portable Dust Collection System
(Optional - See Page 9)

Central Vacuum

- Includes low profile, premium urethane weight-mated sanding pad.
- Has 1" outside diameter vacuum port, for easy connection to central vacuum system.



Pad Diameter Inch (mm)	3/8" (10 mm) Orbit Models	3/16" (5 mm) Orbit Models	3/32" (2.5 mm) Orbit Models
3 (76 mm)	69104	69109	69114
3-1/2 (89 mm)	69004	69019	69034
5 (127 mm)	69009	69024	69039
6 (152 mm)	69014	69029	69044

Tune-Up Kit: No. 96620



Model 69029
6" (152 mm)
Diameter

Dynorbital® Supreme



**The BEST Keeps Getting Better –
Dynorbital® Supreme Now Offers “D3” Innovations!**

NEW! Refined Ergonomic Tool Grip

Allows more comfortable grip and feel, reducing operator fatigue and increasing efficiency.

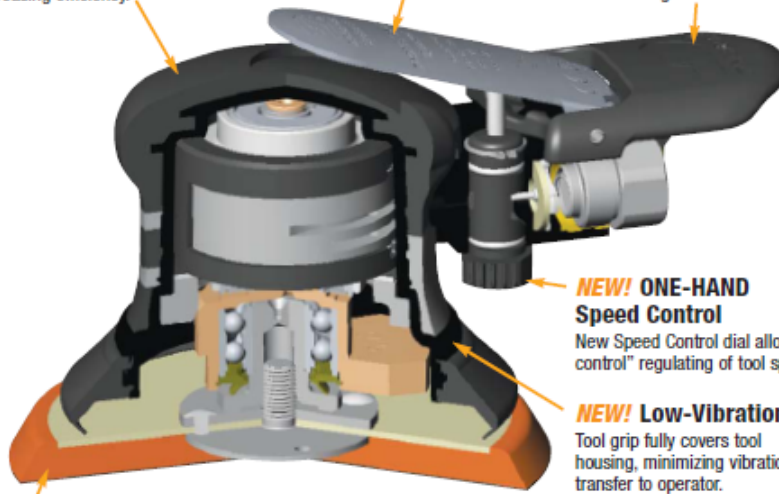
Auto-Recess Throttle Lever

Lever recesses into housing grip when depressed, eliminating pressure-point on operator's palm. Lever is color-coded to identify tool orbit (see page 7).

Comfort Platform

(Patent Pending)

Provides additional hand and wrist support, enhancing operator comfort. Also offers protection against cold air exhaust.



NEW! ONE-HAND Speed Control

New Speed Control dial allows “thumb control” regulating of tool speed.

NEW! Low-Vibration Design

Tool grip fully covers tool housing, minimizing vibration transfer to operator.

Perfectly Balanced Sanding Pad *Ask for the ORANGE!*

Perfectly-balanced, weight-mated sanding pad with exclusive **single-piece hub design**. Dynabrade premium urethane pads offer smoother operating performance and minimal vibration.

THREE Diameters:

3-1/2" (89 mm) – 80 grams • 5" (127 mm) – 100 grams • 6" (152 mm) – 130 grams



Dynorbital® Supreme Models

Model Number	Vacuum Style	Tool Dia. Inch (mm)	Dia. Orbit Inch (mm)	Sound Level	Weight Pound (kg)	Length Inch (mm)
56800	Non-Vac	3-1/2 (89)	3/16 (5)	77 dB(A)	2.1 (1)	6 (152)
56815	Non-Vac	5 (127)	3/16 (5)	77 dB(A)	2.1 (1)	6-1/2 (165)
56826	Non-Vac	6 (152)	3/16 (5)	77 dB(A)	2.2 (1)	7 (178)
56840	Non-Vac	3-1/2 (89)	3/32 (2.5)	76 dB(A)	2.1 (1)	6 (152)
56850	Non-Vac	5 (127)	3/32 (2.5)	75 dB(A)	2.1 (1)	6-1/2 (165)
56859	Non-Vac	6 (152)	3/32 (2.5)	75 dB(A)	2.2 (1)	7 (178)
56870	Non-Vac	3-1/2 (89)	3/8 (10)	79 dB(A)	2.2 (1)	6 (152)
56880	Non-Vac	5 (127)	3/8 (10)	77 dB(A)	2.3 (1)	6-1/2 (165)
56890	Non-Vac	6 (152)	3/8 (10)	77 dB(A)	2.4 (1)	7 (178)
56803	Self-Gen	3-1/2 (89)	3/16 (5)	83 dB(A)	2.1 (1)	8-1/4 (210)
56818	Self-Gen	5 (127)	3/16 (5)	81 dB(A)	2.1 (1)	8-1/2 (216)
56829	Self-Gen	6 (152)	3/16 (5)	81 dB(A)	2.3 (1)	9 (229)
56843	Self-Gen	3-1/2 (89)	3/32 (2.5)	81 dB(A)	2.1 (1)	8-1/4 (210)
56853	Self-Gen	5 (127)	3/32 (2.5)	81 dB(A)	2.1 (1)	8-1/2 (216)

Model Number	Vacuum Style	Tool Dia. Inch (mm)	Dia. Orbit Inch (mm)	Sound Level	Weight Pound (kg)	Length Inch (mm)
56862	Self-Gen	6 (152)	3/32 (2.5)	81 dB(A)	2.3 (1)	9 (229)
56873	Self-Gen	3-1/2 (89)	3/8 (10)	83 dB(A)	2.3 (1)	8-1/4 (210)
56883	Self-Gen	5 (127)	3/8 (10)	83 dB(A)	2.3 (1)	8-1/2 (216)
56893	Self-Gen	6 (152)	3/8 (10)	83 dB(A)	2.5 (1.1)	9 (229)
56804	Central	3-1/2 (89)	3/16 (5)	79 dB(A)	2.1 (1)	7 (178)
56819	Central	5 (127)	3/16 (5)	79 dB(A)	2.2 (1)	7-1/4 (184)
56830	Central	6 (152)	3/16 (5)	79 dB(A)	2.3 (1)	7-3/4 (197)
56844	Central	3-1/2 (89)	3/32 (2.5)	79 dB(A)	2.1 (1)	7 (178)
56854	Central	5 (127)	3/32 (2.5)	78 dB(A)	2.2 (1)	7-1/4 (184)
56863	Central	6 (152)	3/32 (2.5)	78 dB(A)	2.3 (1)	7-3/4 (197)
56874	Central	3-1/2 (89)	3/8 (10)	80 dB(A)	2.3 (1)	7 (178)
56884	Central	5 (127)	3/8 (10)	80 dB(A)	2.3 (1)	7-1/4 (184)
56894	Central	6 (152)	3/8 (10)	80 dB(A)	2.4 (1)	7-3/4 (197)

Additional Specifications: Motor .28 hp (209 W) • Motor 12,000 RPM • Pad Thread 5/16"-24 Male • Air Inlet Thread 1/4" NPT
Hose I.D. Size 1/4" (6 mm) • Air Flow Rate 18 SCFM/510 LPM • Height 3-1/2" (89 mm) • Air Pressure 90 PSIG (6.2 Bar)
Sound Level is the pressure measurement according to the method outlined in ISO regulation ISO-15744

Dynorbital® Supreme



NEW!



3/8"
(10 mm)
Diameter Orbit

For Aggressive Sanding



Look for **ORANGE** Throttle Lever



3/16"
(5 mm)
Diameter Orbit

For General Sanding



Look for **SILVER** Throttle Lever



3/32"
(2.5 mm)
Diameter Orbit

For Ultra-Fine Sanding



Look for **BLACK** Throttle Lever

Non-Vacuum

- Includes low profile, premium urethane weight-mated sanding pad.
- Optional vacuum conversion kits available, to easily convert non-vacuum tool to self-generated vacuum tool or central vacuum tool (see page 9).

NEW!

Pad Diameter Inch (mm)	3/8" (10 mm) Orbit Models	3/16" (5 mm) Orbit Models	3/32" (2.5 mm) Orbit Models
3-1/2 (89 mm)	56870	56800	56840
5 (127 mm)	56880	56815	56850
6 (152 mm)	56890	56826	56859

Tune-Up Kit: No. 96024



Model 56826
6" (152 mm)
Diameter

See page 10
for **NEW ORANGE**
Sanding Pads!

Self-Generated Vacuum

- Includes low profile, premium urethane weight-mated sanding pad.
- Ready for connection to optional portable self-contained dust collection system (see page 9).

NEW!

Pad Diameter Inch (mm)	3/8" (10 mm) Orbit Models	3/16" (5 mm) Orbit Models	3/32" (2.5 mm) Orbit Models
3-1/2 (89 mm)	56873	56803	56843
5 (127 mm)	56883	56818	56853
6 (152 mm)	56893	56829	56862

Tune-Up Kit: No. 96024



Model 56818
5" (127 mm)
Diameter

Portable Dust Collection System
(Optional - See Page 9)

Central Vacuum

- Includes low profile, premium urethane weight-mated sanding pad.
- Has 1" outside diameter vacuum port, for easy connection to central vacuum system.

NEW!

Pad Diameter Inch (mm)	3/8" (10 mm) Orbit Models	3/16" (5 mm) Orbit Models	3/32" (2.5 mm) Orbit Models
3-1/2 (89 mm)	56874	56804	56844
5 (127 mm)	56884	56819	56854
6 (152 mm)	56894	56830	56863

Tune-Up Kit: No. 96024



Model 56830
6" (152 mm)
Diameter

DB Improvements & Innovations

NEW! Refined Ergonomic Tool Grip (Dynorbital® Supreme)

- Allows more comfortable grip and feel, reducing operator fatigue and increasing efficiency.
- Grip now fully covers tool housing, minimizing vibration transfer to operator!



NEW! Compact Grip Size (Dynorbital® Silver Supreme, Dynorbital-Spirit®)

- Compact, ergonomic design has been reduced in size by 5%!
- Ideal for operators with smaller hands.



NEW! Enhanced Vacuum Capabilities (All)



NEW! ONE-HAND Speed Control (All)

New speed control dial allows easy "thumb control" regulating of tool speed.



NEW! "Stays-Tight" Muffler (All)

Muffler cap is now threaded, to remain firmly attached to tool.



Muffler Assemblies:

- **69272** – Dynorbital-Spirit®: Includes 69359 Threaded Cap and two 56027 Muffler Inserts
- **69273** – Dynorbital® Silver Supreme: Includes 69359 Threaded Cap and three 56027 Muffler Inserts
- **69274** – Dynorbital® Supreme: Includes 69359 Threaded Cap, two 56027 Muffler Inserts and 57065 Cone Muffler

Dynabrade's Patented Bearing Protection (All)

"V-Seal" bearing seal protects balancer shaft bearing from sanding residue, resulting in longer tool life.



Random Orbital Sander Accessories

Drop-In Motors

- Allows quick and easy replacement.
- No motor adjustments needed.
- Repair time reduced by 90%!
- Follow maintenance procedures as described in tool's parts page.



Drop-In Motor for Dynorbital® Silver Supreme Sanders



Drop-In Motor for Dynorbital® Spirit Sanders

Dynorbital® Silver Supreme

3" (76 mm) Dia. Models	3/8" (10 mm) Orbit	3/16" (5 mm) Orbit	3/32" (2.5 mm) Orbit
Single Motor	69450	69451	69452
Ten Pack	69467	69468	69469

3-1/2" (89 mm) Dia. Models	3/8" (10 mm) Orbit	3/16" (5 mm) Orbit	3/32" (2.5 mm) Orbit
Single Motor	69453	69454	69455
Ten Pack	69470	69471	69472

5" (127 mm) Dia. Models	3/8" (10 mm) Orbit	3/16" (5 mm) Orbit	3/32" (2.5 mm) Orbit
Single Motor	69456	69457	69458
Ten Pack	69473	69474	69475

6" (152 mm) Dia. Models	3/8" (10 mm) Orbit	3/16" (5 mm) Orbit	3/32" (2.5 mm) Orbit
Single Motor	69459	69460	69461
Ten Pack	69476	69477	69478

Dynorbital-Spirit®

3" (76 mm) & 3-1/2" (89 mm) Dia. Models	3/8" (10 mm) Orbit	3/16" (5 mm) Orbit	3/32" (2.5 mm) Orbit
Single Motor	59450	59451	59452
Ten Pack	59470	59471	59472
Ten Pack w/Repair Tools	59460	59461	59462

5" (127 mm) Dia. Models	3/8" (10 mm) Orbit	3/16" (5 mm) Orbit	3/32" (2.5 mm) Orbit
Single Motor	59453	59454	59455
Ten Pack	59473	59474	59475
Ten Pack w/Repair Tools	59463	59464	59465

6" (152 mm) Dia. Models	3/8" (10 mm) Orbit	3/16" (5 mm) Orbit	3/32" (2.5 mm) Orbit
Single Motor	59456	59457	59458
Ten Pack	59476	59477	59478
Ten Pack w/Repair Tools	59466	59467	59468

Vacuum Conversion Kits

- For use with Dynabrade "D3" Series Random Orbital Sanders.
- Pad diameter determines which kit is right for your tool.
- Conversion kit allows user to change tool into desired vacuum configuration.



Pad Diameter Inch (mm)	Converts Tool To	Kit Part Number
3-1/2 (89 mm)	Self-Generated Vac	57118
3-1/2 (89 mm)	Central Vacuum	57119
5 (127 mm)	Self-Generated Vac	57120
5 (127 mm)	Central Vacuum	57121
6 (152 mm)	Self-Generated Vac	57122
6 (152 mm)	Central Vacuum	57123

Portable Self-Contained Dust Collection Systems

- For use with Dynabrade Self-Generated Vacuum tools.
- Systems include 1" (25 mm) dia. x 6' (1.8 m) long 50682 Flex-Hose.

Part No. 50617

- Includes 50683 Bag with hook-face closure.

Part No. 56303

- Includes 56304 Bag with zipper-lock closure.



Random Orbital Sander Tune-Up Kits

Each Tune-Up Kit includes assorted parts to maintain air motor in top condition.

- 96024 – Dynorbital® Supreme
- 96620 – Dynorbital® Silver Supreme
- 96510 – Dynorbital-Spirit®



Ball-Swivel Plug

Plug "swivels" for great tool maneuverability!

Part No. 97016

- 97016 Ball-Swivel Plug offers 53° conical range of motion, for added tool maneuverability and operator comfort.
- A natural fit with Dynabrade palm-style Random Orbital Sanders!
- Ported plug design allows air flow of up to 74 SCFM (2,095 LPM).
- Maximum air pressure of 90 PSIG (6.2 Bar).

